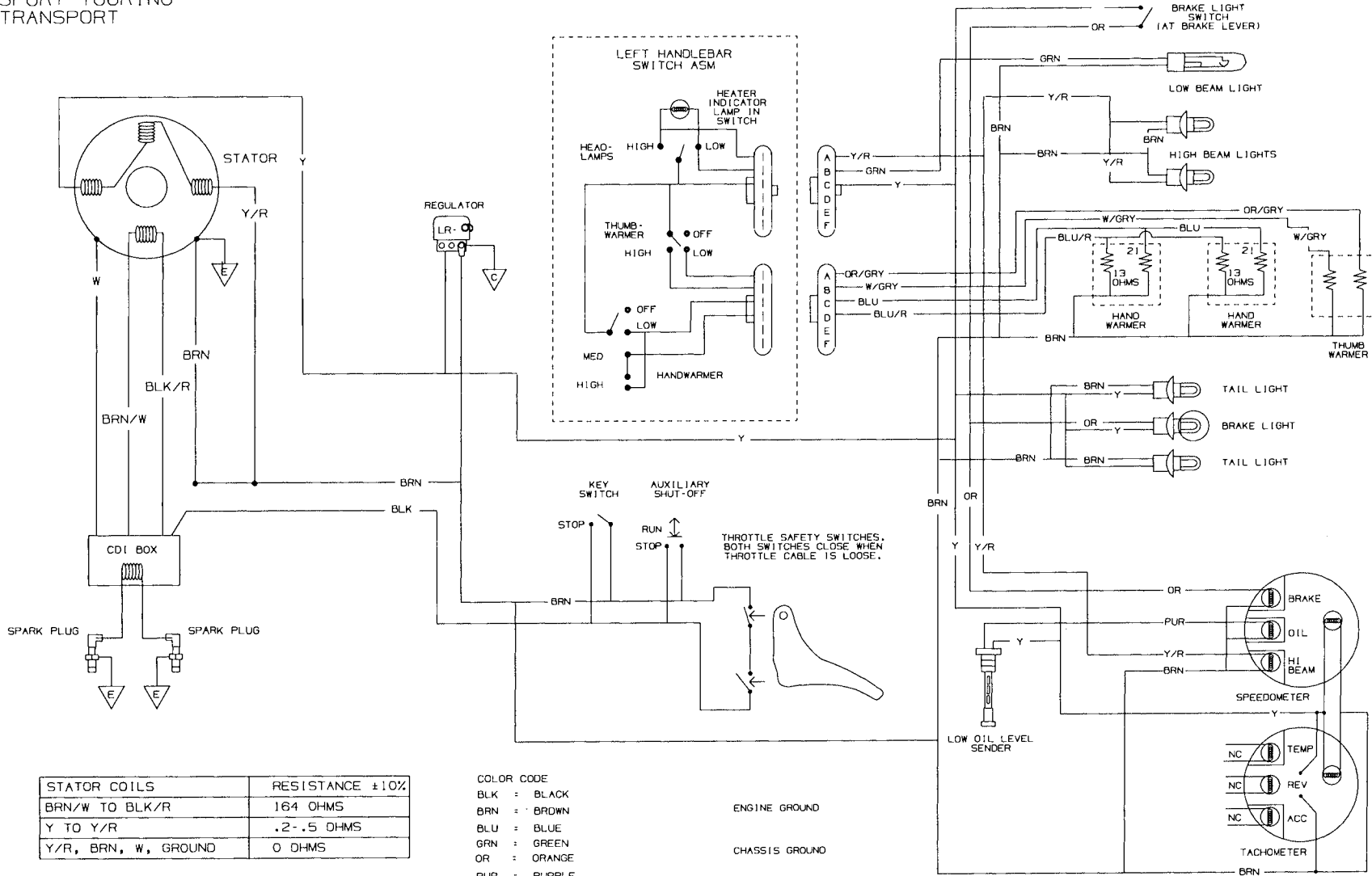
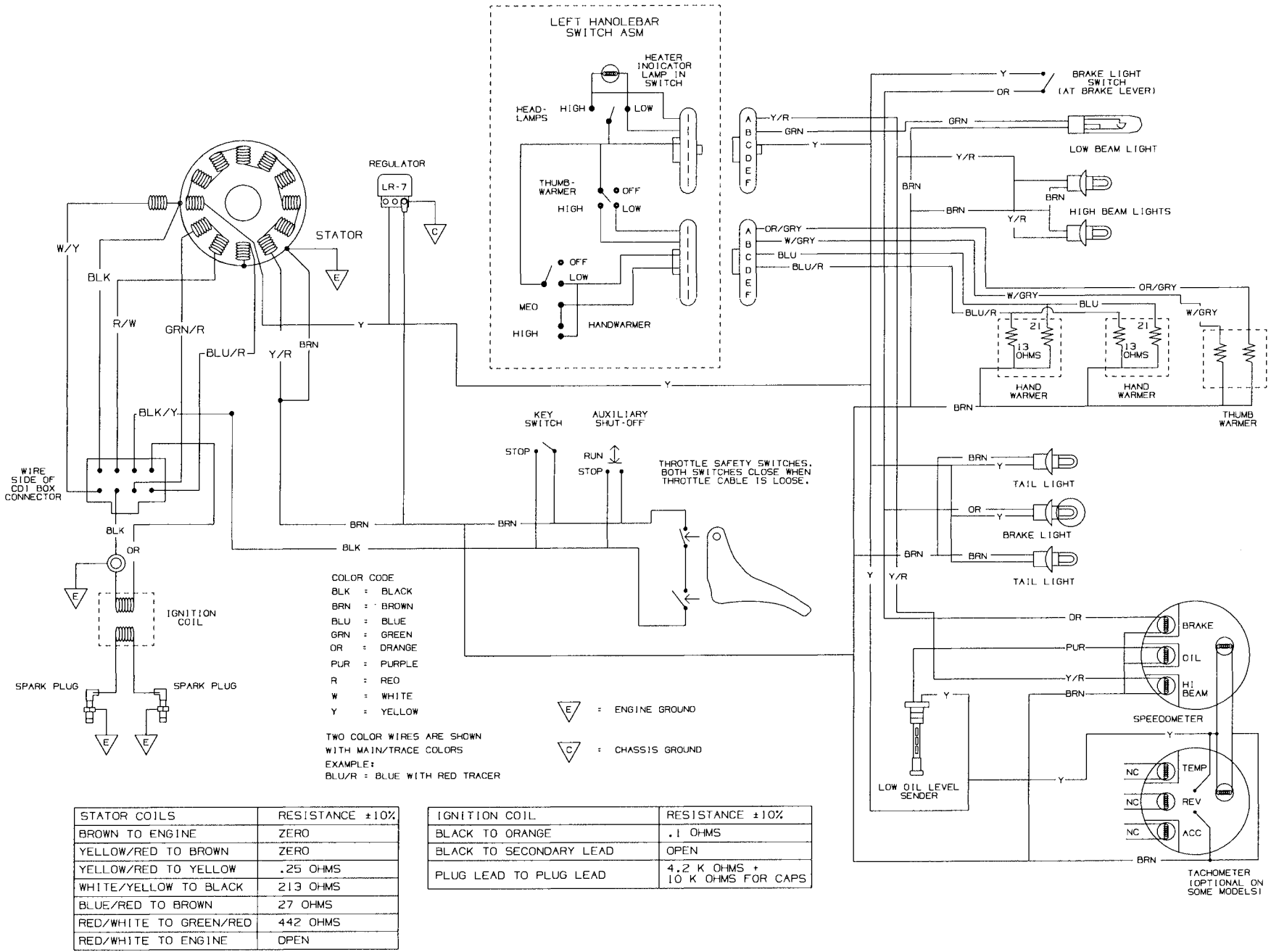


99 SPORT
SPORT TOURING
TRANSPORT



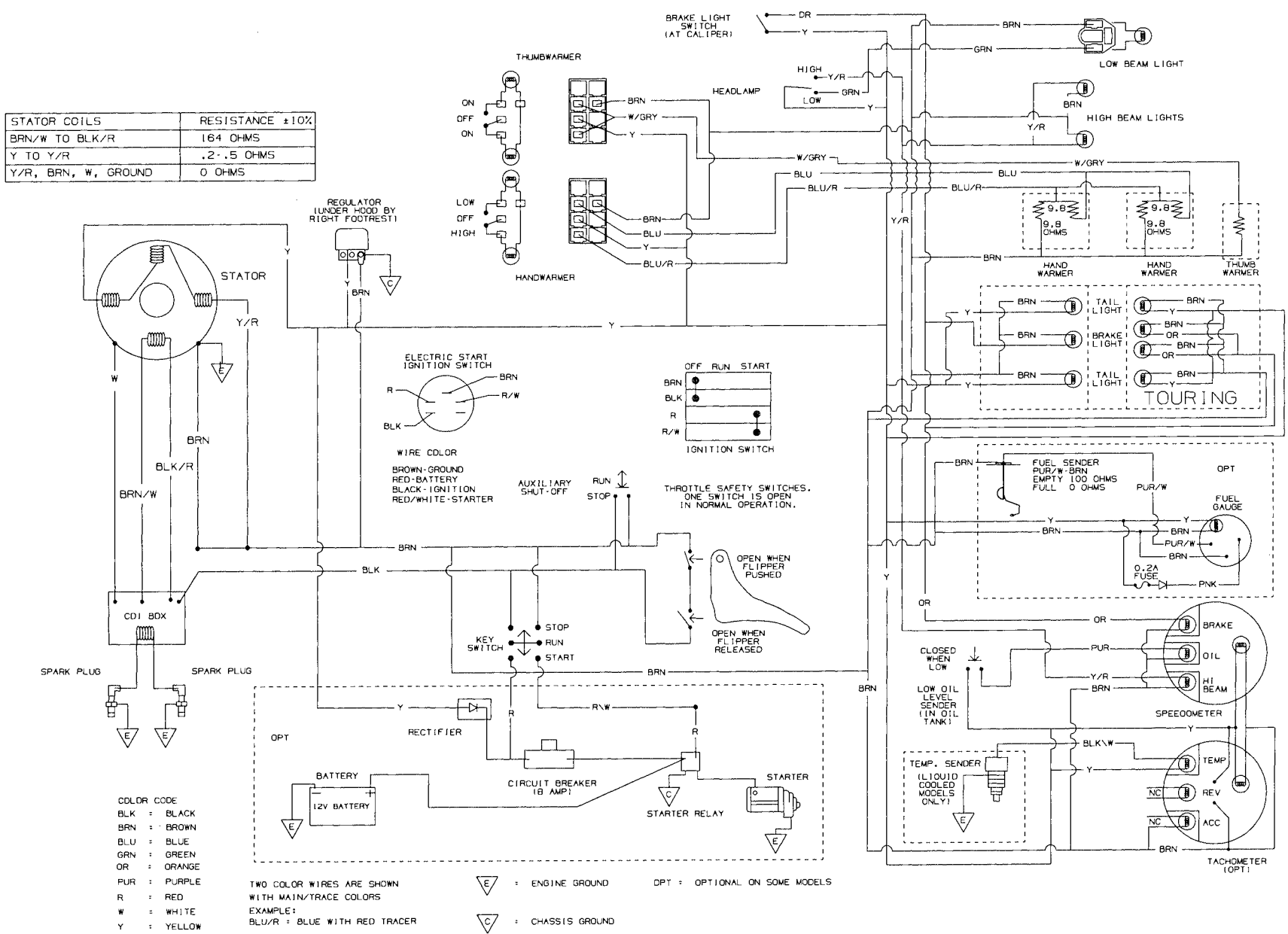
ELECTRICAL
1999 Wiring Diagram - Sport, Sport Touring, Transport



1999 Wiring Diagram - Supersport

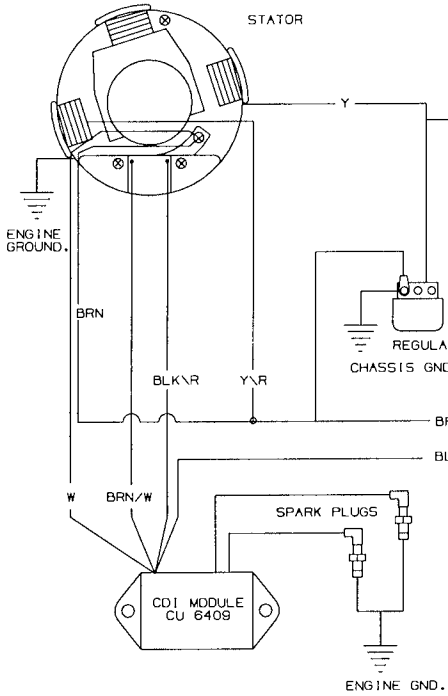
ELECTRICAL

ELECTRICAL
1999 Wiring Diagram - Indy 500 Carb, RMK,
500 Classic, Classic Touring, Trail, Trail Touring

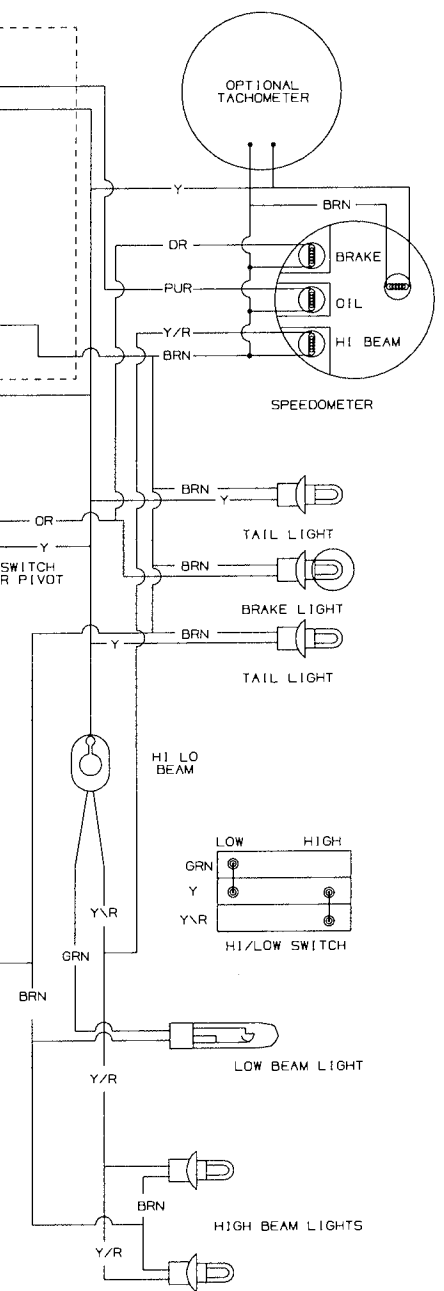
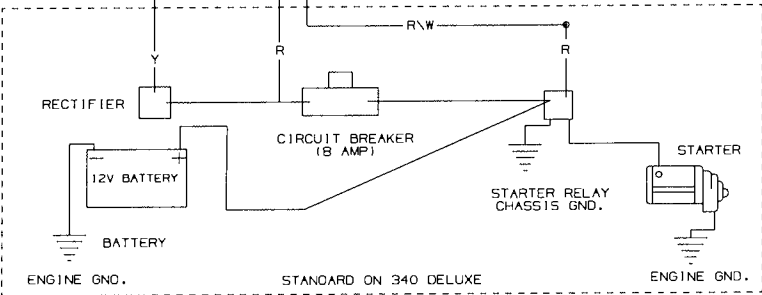
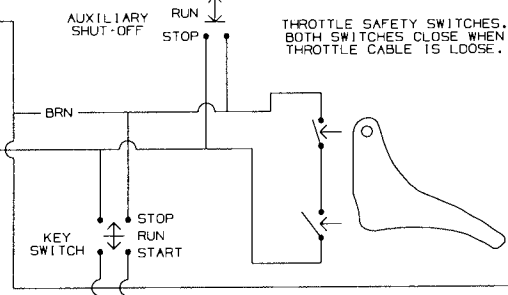
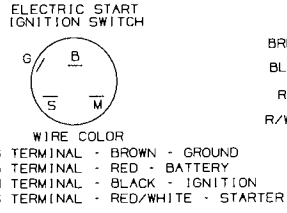
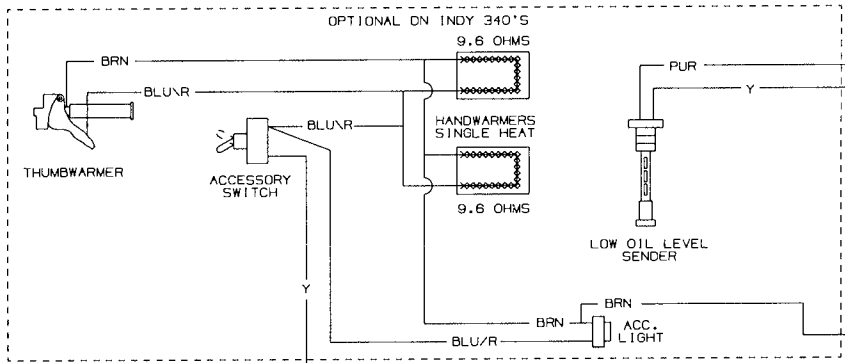


99 INDY 340
INDY 340 TOURING
INDY 340 DELUXE

STATOR RESISTANCES	
BRN/W TO BLK/R	164 OHMS
Y TO BRN OR Y/R	.3 TO .6 OHMS
GND TO BRN TO W	0 OHMS

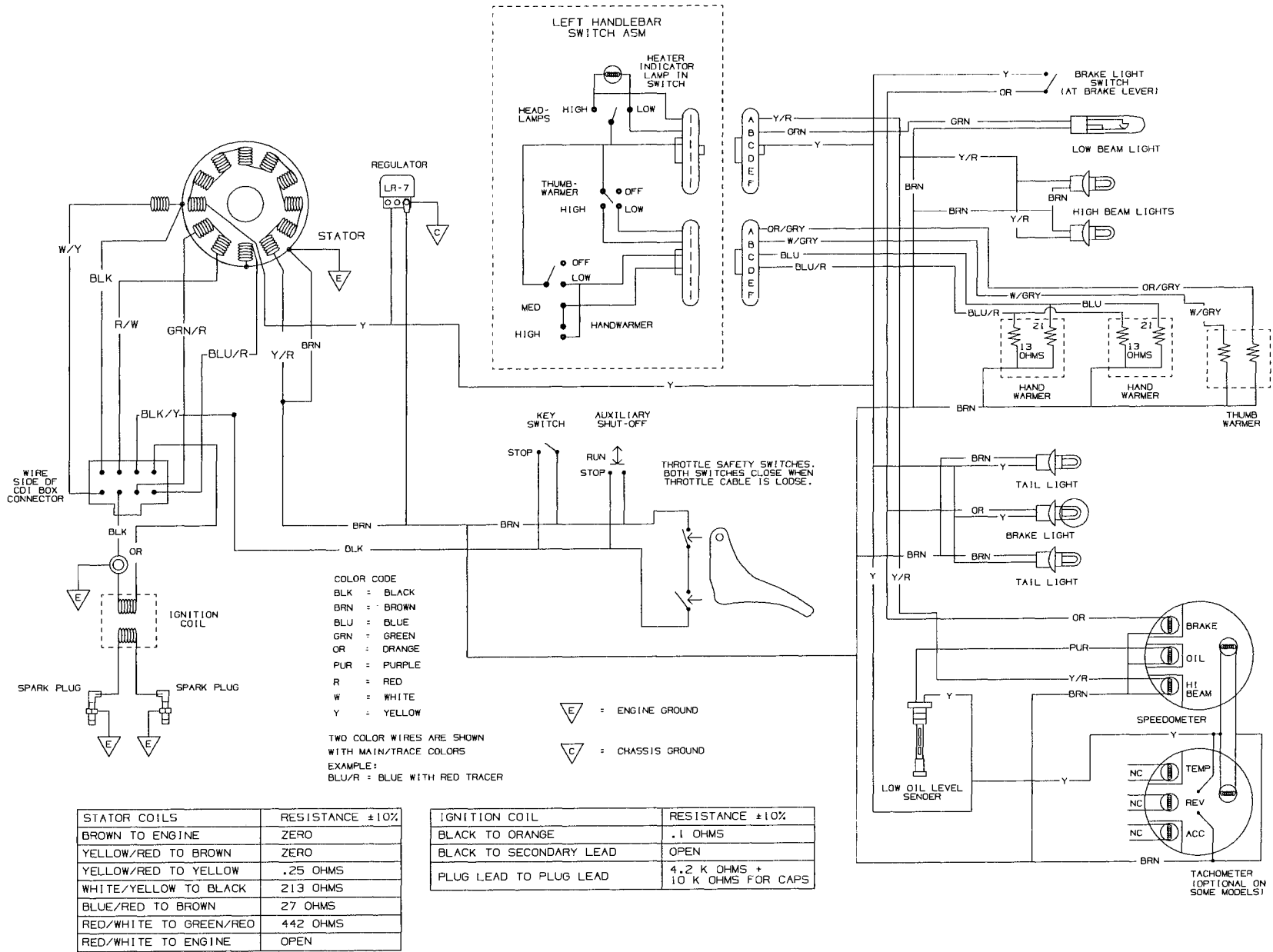


COLOR CODE
 BLK = BLACK
 BRN = BROWN
 BLU = BLUE
 GRN = GREEN
 PUR = PURPLE
 OR = ORANGE
 R = RED
 W = WHITE
 Y = YELLOW
 TWO COLOR WIRES ARE SHOWN WITH MAIN/TRACE COLORS.
 EXAMPLE: BLU/R = BLUE WITH RED TRACER

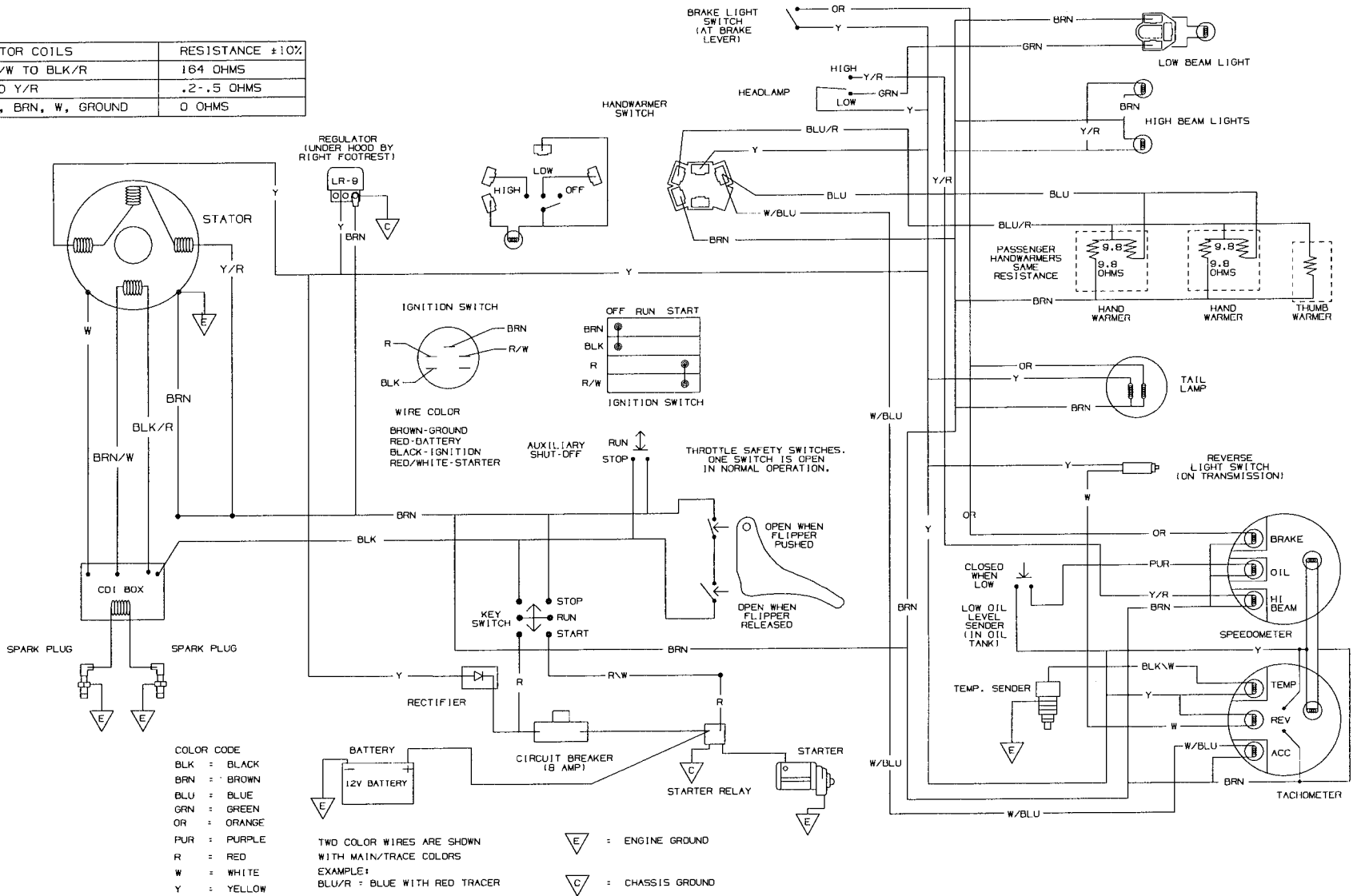


1999 Wiring Diagram - Indy 340, 340 Touring, 340 Deluxe **ELECTRICAL**

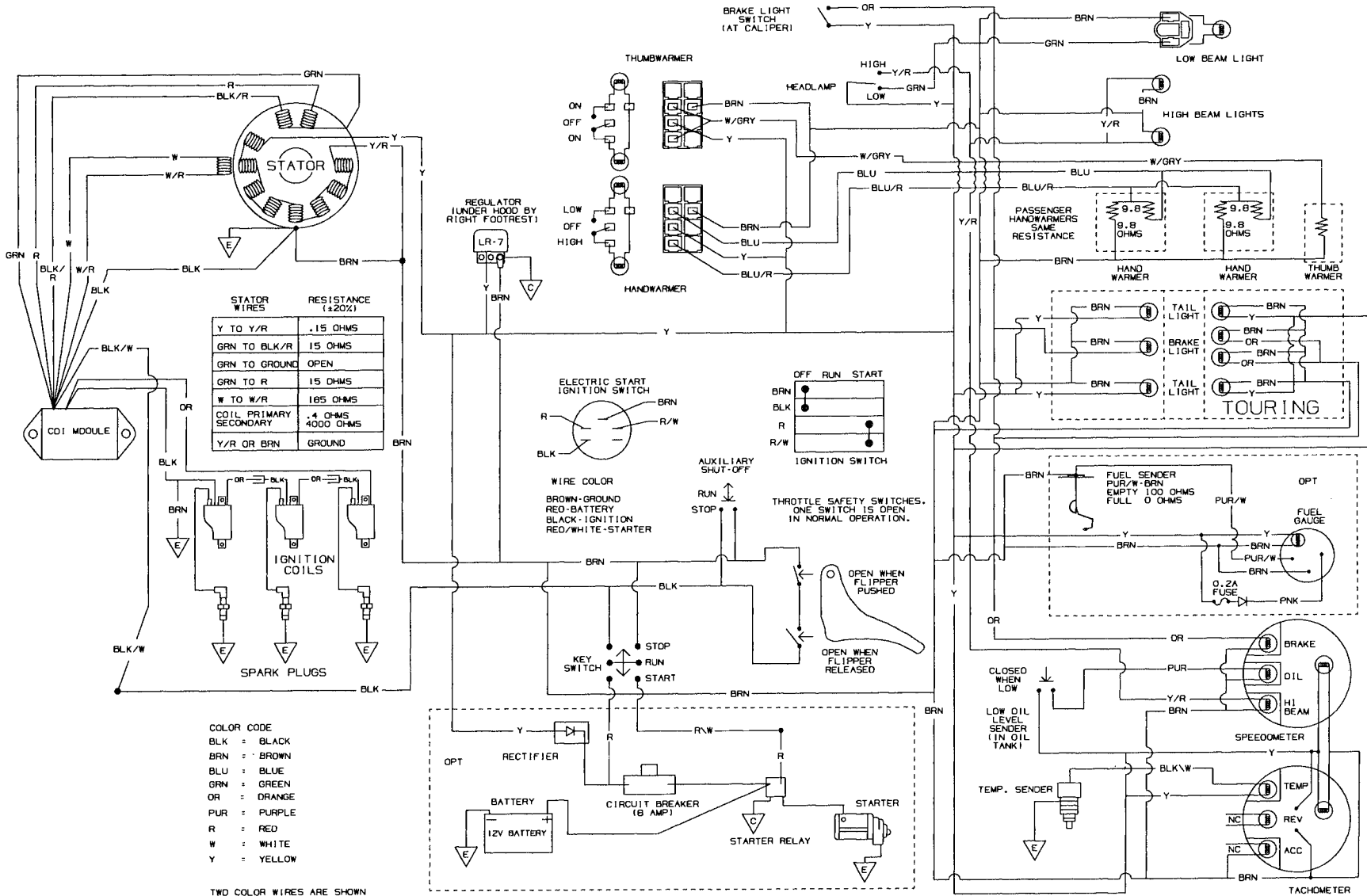
ELECTRICAL 1999 Wiring Diagram - Indy XCF, Trail RMK



STATOR COILS	RESISTANCE ±10%
BRN/W TO BLK/R	164 OHMS
Y TO Y/R	.2-.5 OHMS
Y/R, BRN, W, GROUND	0 OHMS

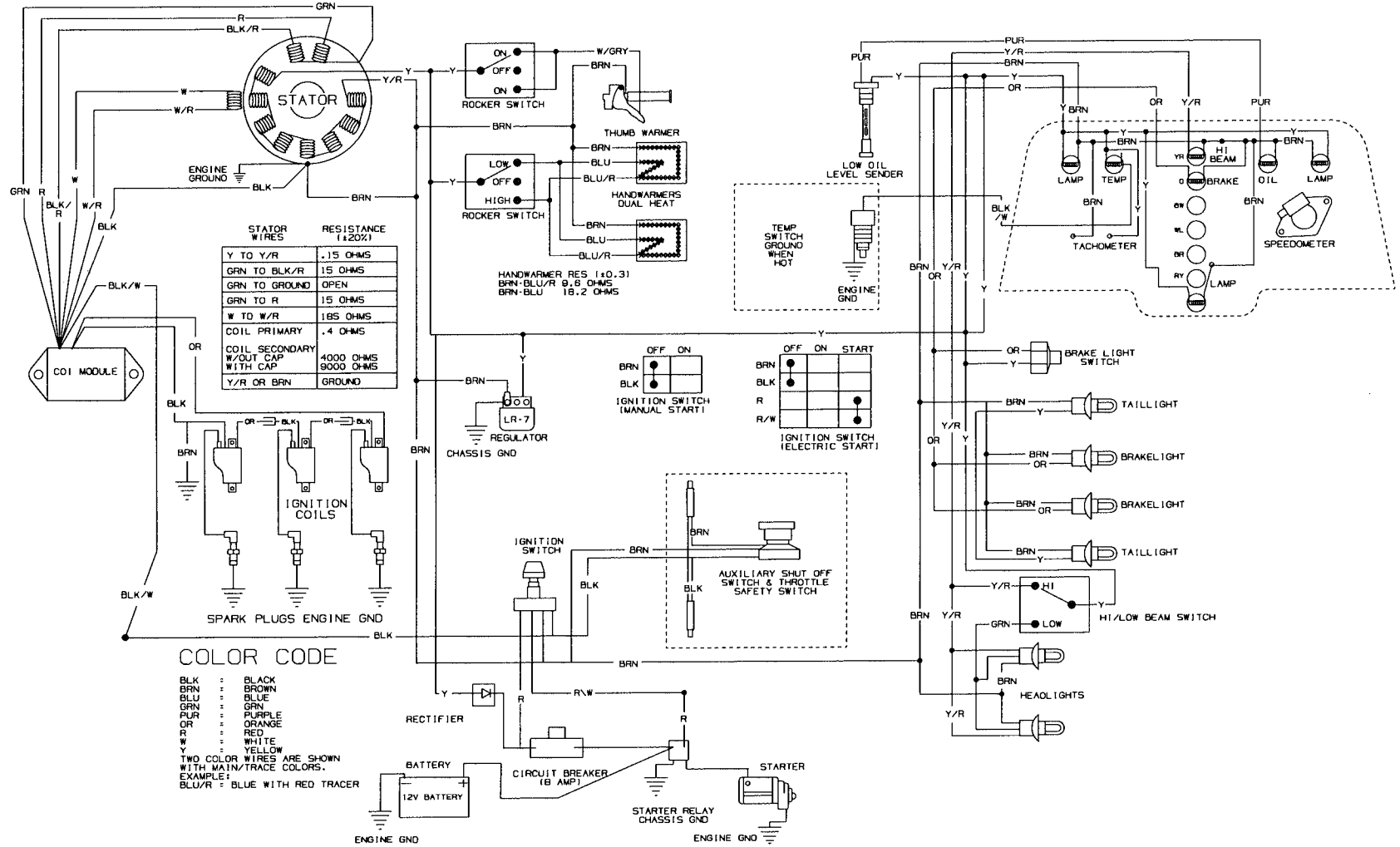


ELECTRICAL 1999 Wiring Diagram - Indy XLT Touring, XLT Classic



99 XLT SPECIAL

NOT ALL EQUIPMENT SHOWN IS STANDARD.

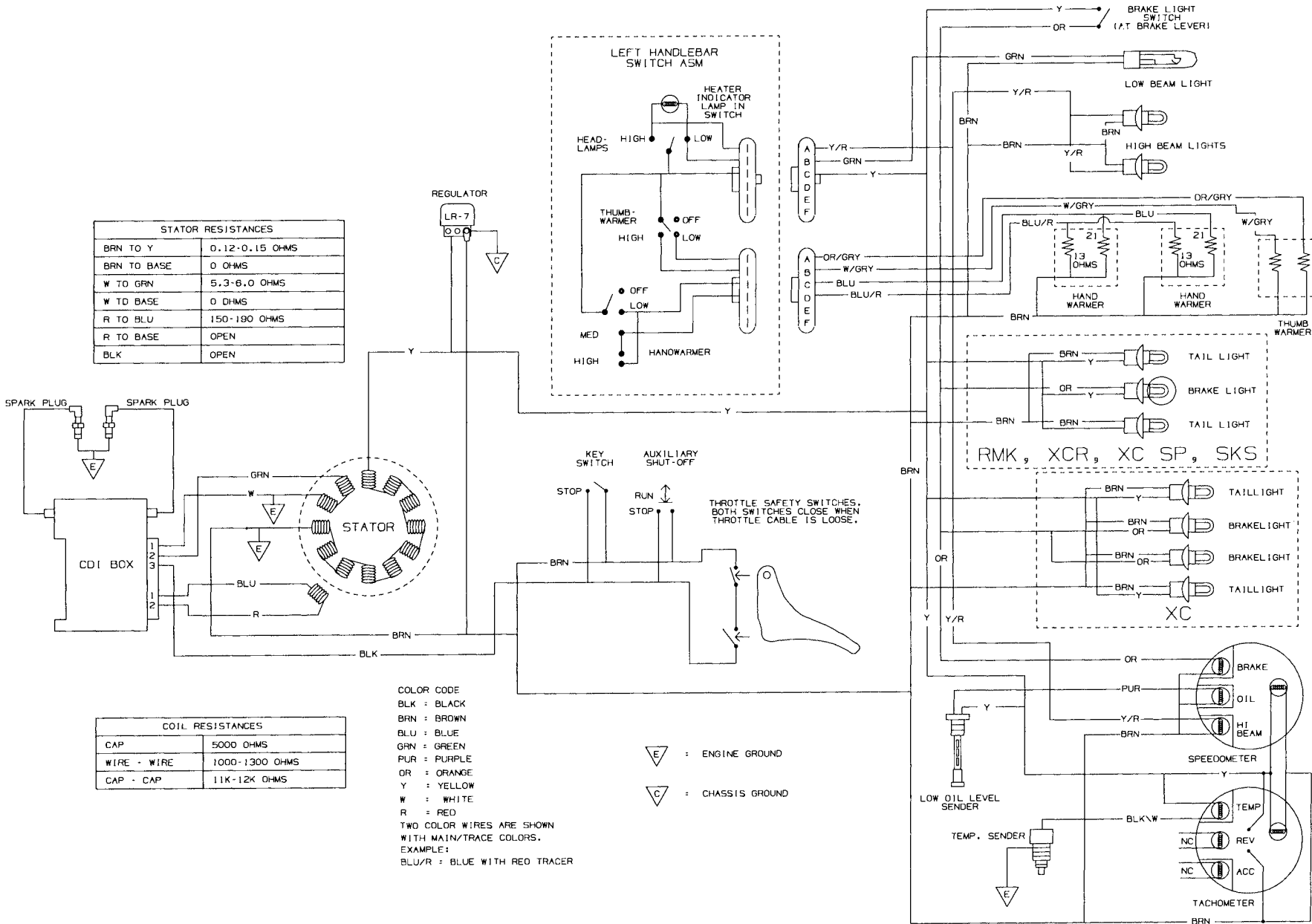


ELECTRICAL
1999 Wiring Diagram - 440 XCR, 500 XC/XC SP, 600 XC/XC SP,
700 XC/XC SP, 700 SKS, 600 RMK, 700 RMK

10/98

9.48

Polaris Industries Inc.



99 700 XCR
800 XCR

