

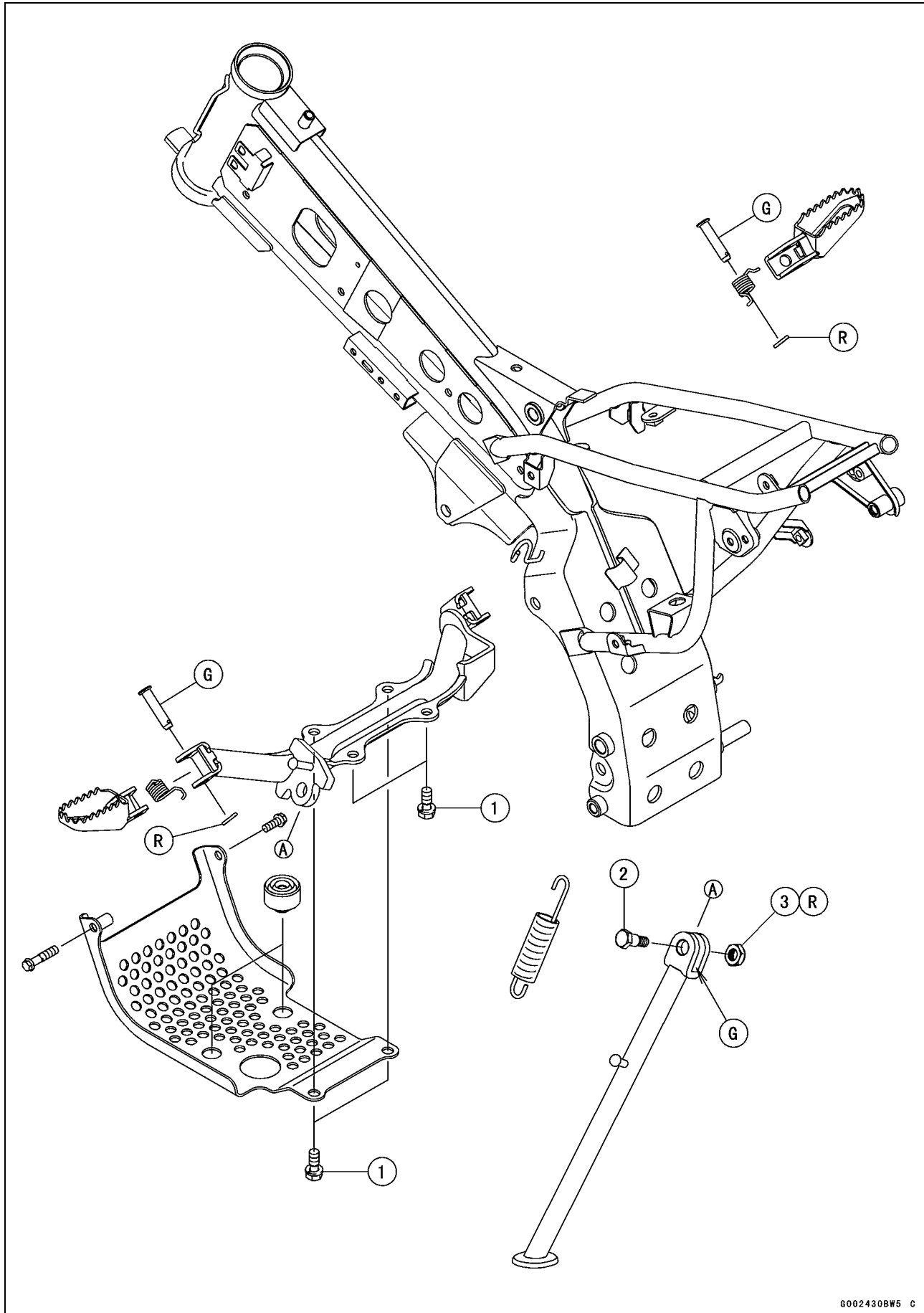
Frame

Table of Contents

Exploded View.....	14-2
Special Tool.....	14-6
Frame.....	14-7
Frame Inspection.....	14-7
Engine Guard Removal/Installation.....	14-7
Shroud.....	14-8
Shroud Removal.....	14-8
Shroud Installation.....	14-8
Seat.....	14-9
Seat Removal.....	14-9
Seat Installation.....	14-9
Side Covers.....	14-10
Side Cover Removal.....	14-10
Side Cover Installation.....	14-10
Number Plate.....	14-11
Number Plate Removal.....	14-11
Number Plate Installation.....	14-11
Fenders.....	14-12
Front Fender Removal.....	14-12
Front Fender Installation.....	14-12
Rear Fender Removal/Installation.....	14-12
Rear Flap Removal/Installation.....	14-13
Footpegs and Bracket.....	14-14
Footpeg Removal/Installation.....	14-14
Footpeg Bracket Removal.....	14-14
Footpeg Bracket Installation.....	14-14
Sidestand.....	14-15
Sidestand Removal.....	14-15
Sidestand Installation.....	14-15

14-2 FRAME

Exploded View



Exploded View

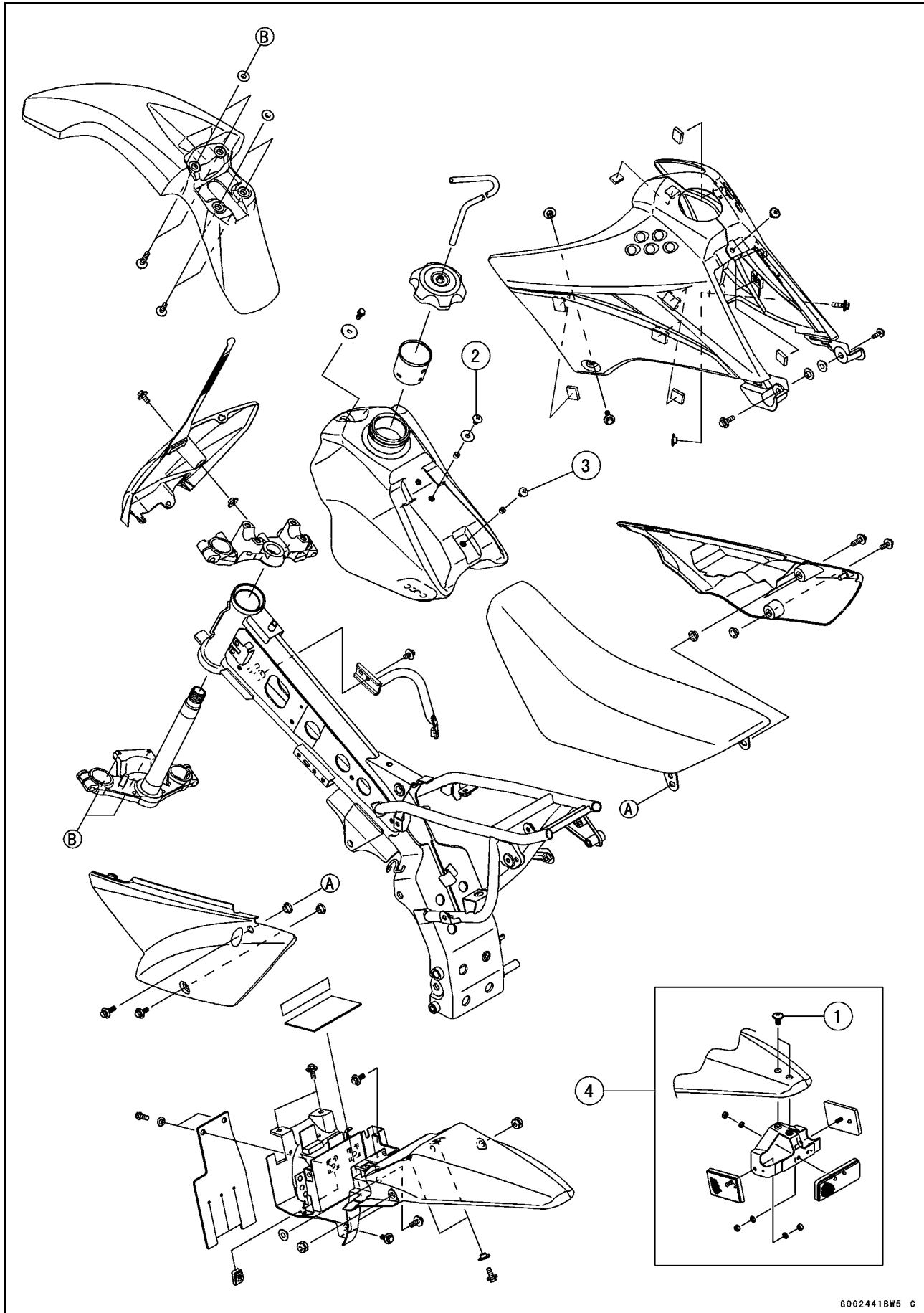
No.	Fastener	Torque			Remarks
		N·m	kgf·m	ft·lb	
1	Footpeg Bracket Bolts	25	2.5	18	
2	Sidestand Bolt	9.8	1.0	87 in·lb	
3	Sidestand Nut	29	3.0	21	R

G: Apply grease.

R: Replacement Parts

14-4 FRAME

Exploded View



Exploded View

No.	Fastener	Torque			Remarks
		N·m	kgf·m	ft·lb	
1	Rear Reflector Bracket Screws	7.4	0.75	65 in·lb	
2	Screw (for Seat Hook)	5.0	0.51	44 in·lb	
3	Screw (for Rubber Band Hook)	5.0	0.51	44 in·lb	

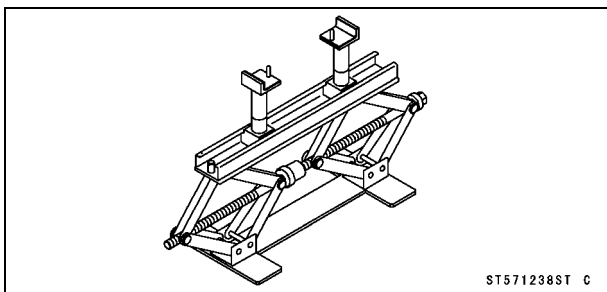
4. CA model only

14-6 FRAME

Special Tool

Jack:

57001-1238



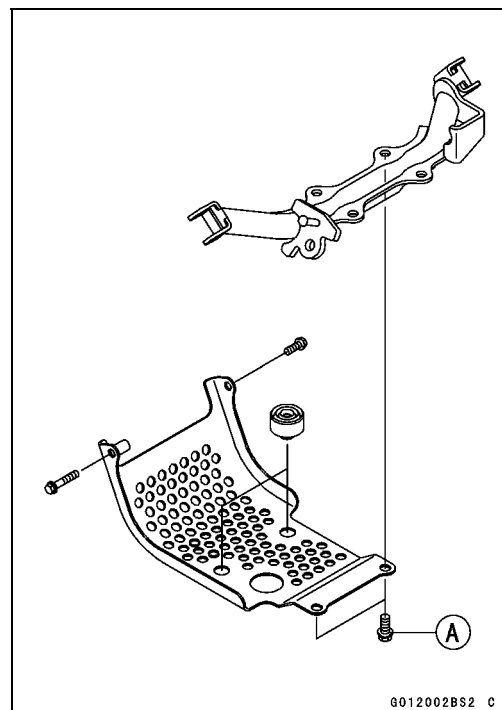
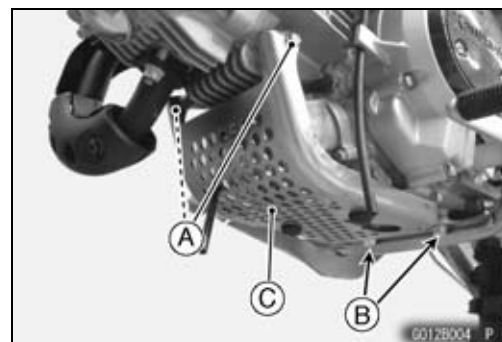
Frame

Frame Inspection

- Refer to the Frame Inspection in the Periodic Maintenance chapter.

Engine Guard Removal/Installation

- Remove:
 - Bolts [A]
 - Footpeg Bracket Bolts [B]
 - Engine Guard [C]
- Installation is the reverse of removal; note the following.
- Tighten:
 - Torque - Footpeg Bracket Bolts [A]: 25 N·m (2.5 kgf·m, 18 ft·lb)

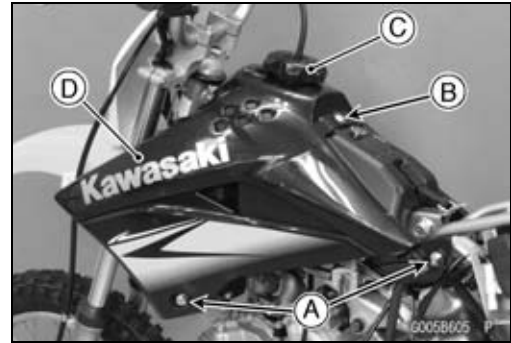


14-8 FRAME

Shroud

Shroud Removal

- Remove:
 - Side Covers (see Side Cover Removal)
 - Seat (see Seat Removal)
 - Bolts [A] (Both Sides)
 - Screw [B]
 - Fuel Tank Cap [C]
 - Shroud [D]



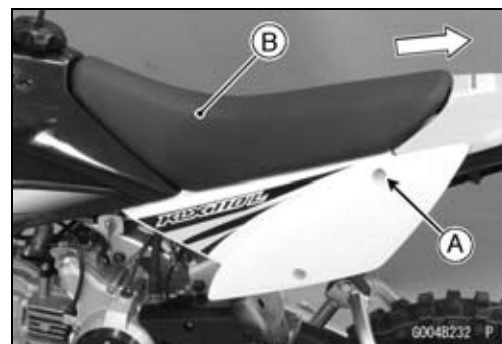
Shroud Installation

- Installation is the reverse of removal.

Seat

Seat Removal

- Remove the seat mounting bolts [A] on both sides.
- Take off the seat [B] backward.

**Seat Installation**

- Installation is the reverse of removal.
- Insert the hooks [A] under the washer [B] and the bracket [C].

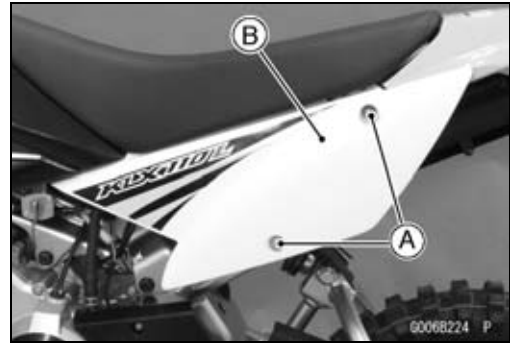


14-10 FRAME

Side Covers

Side Cover Removal

- Remove the bolts [A].
- Pull the side cover [B] outward to clear the stopper.



Side Cover Installation

- Installation is the reverse of removal.
- Install the collars to the side cover.
- Insert the tab [A] into the slot [B].
- Insert the projection [C] into the grommet [D].



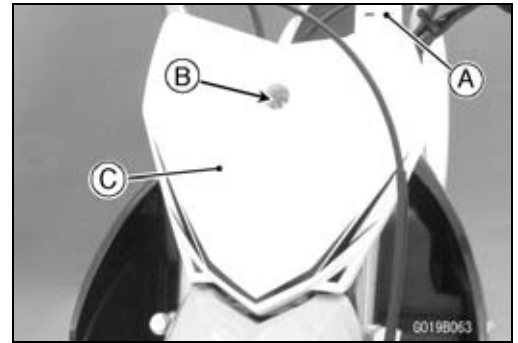
- Rear bolt [A] is longer than the front bolt [B].



Number Plate

Number Plate Removal

- Remove the band [A] from the handlebar.
- Remove the bolt [B] and take off the number plate [C] upward.

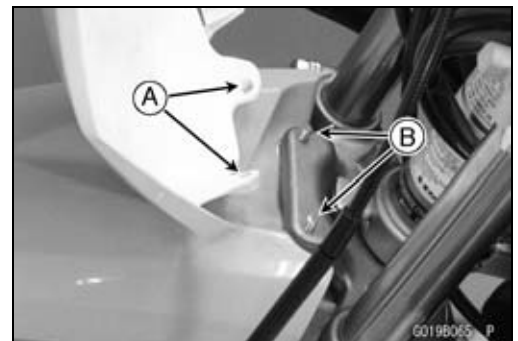


Number Plate Installation

- Install the collar [A] to the number plate.



- Fit the holes [A] at the bottom of number plate onto the bolt threads [B] in the front fork lower bracket.



- Tighten the bolt [A].
- Install the band [B] to the handlebar.
- Run the cables and leads correctly (see Cable, Wire, and Hose Routing section in the Appendix chapter).

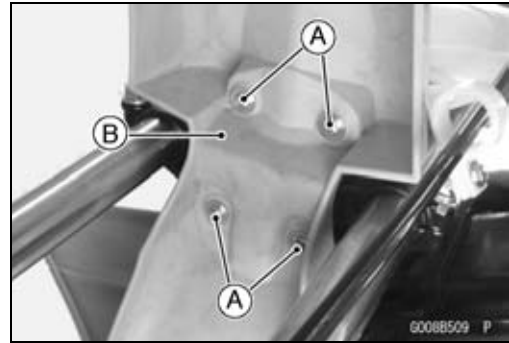


14-12 FRAME

Fenders

Front Fender Removal

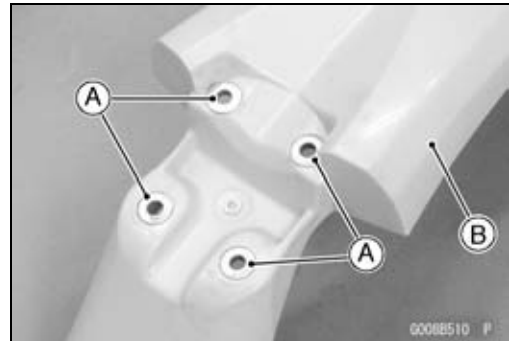
- Remove the bolts [A] and take off the front fender [B].



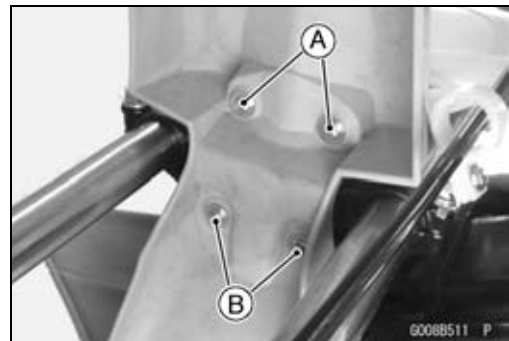
Front Fender Installation

- Installation is the reverse of removal; note the following.

- Install the collars [A] to the front fender [B].



- Install the longer bolts to the front [A] and the shorter bolts to the rear [B].

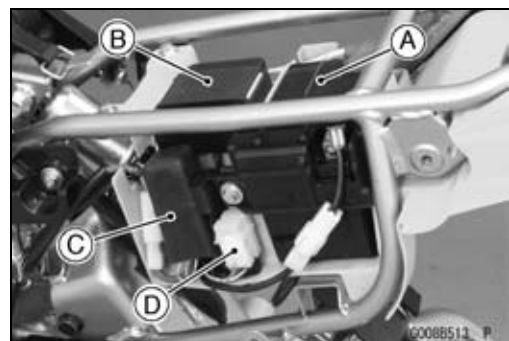


- Install the front fender so that the front bolt threads [A] are inserted into the holes at the bottom of the number plate.



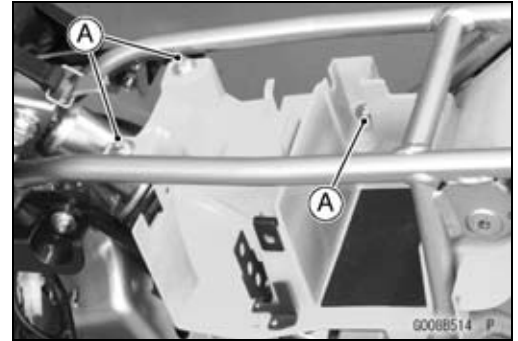
Rear Fender Removal/Installation

- Remove:
 - Seat (see Seat Removal)
 - Side Covers (see Side Cover Removal)
 - Battery [A] (see Battery Removal in the Electrical System chapter)
 - Igniter [B]
 - Starter Relay [C]
 - Fuse [D]

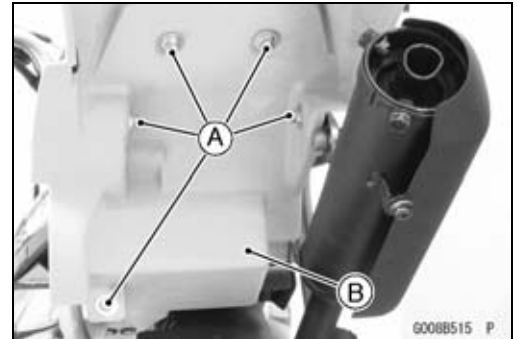


Fenders

- Remove the bolts [A].



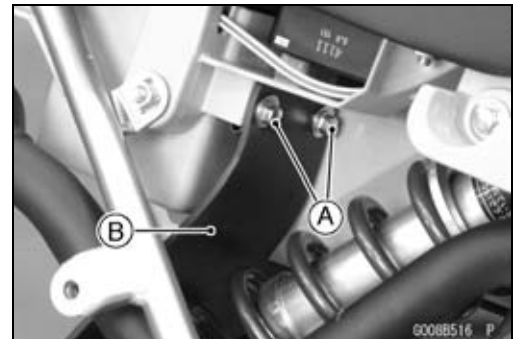
- Remove the bolts [A] and take off the rear fender [B].



- Installation is the reverse of removal.
- Run the cables and leads correctly (see Cable, Wire, and Hose Routing section in the Appendix chapter).

Rear Flap Removal/Installation

- Remove:
 - Right Side Cover (see Side Cover Removal)
 - Bolts [A] and Collars
 - Rear Flap [B]



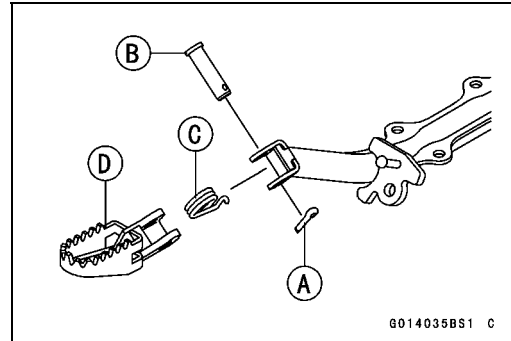
- Installation is the reverse of removal.

14-14 FRAME

Footpegs and Bracket

Footpeg Removal/Installation

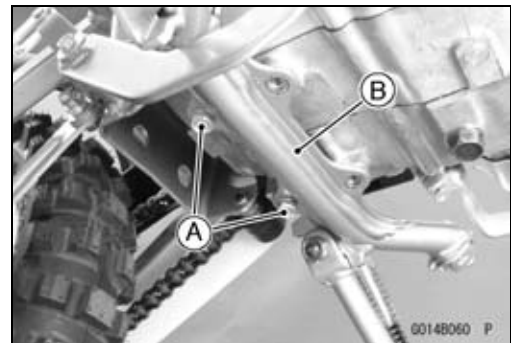
- Remove:
 - Cotter pin [A]
 - Pivot Pin [B]
 - Spring [C]
 - Footpeg [D]



- Installation is reverse of removal; note the following.
- Replace the cotter pin with a new one.
- Apply grease to the sliding area of the footpeg.
- Bend the longer side of the cotter pin.

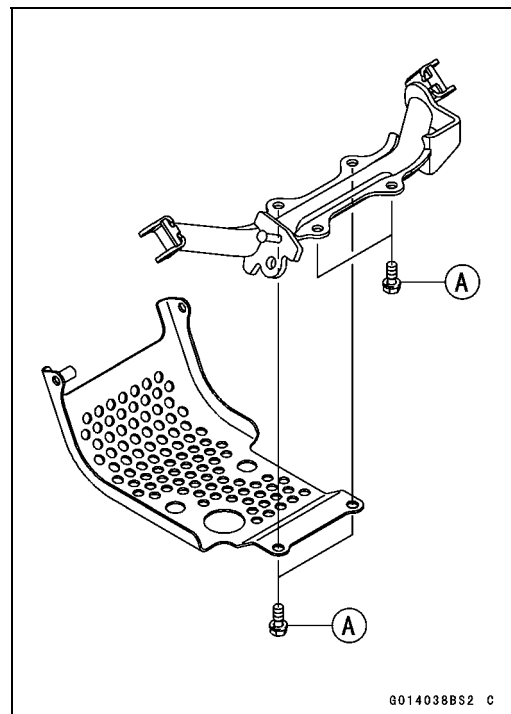
Footpeg Bracket Removal

- Remove the engine guard (see Engine Guard Removal/Installation).
- Place the jack under the frame to support the motorcycle.
Special Tool - Jack: 57001-1238
- Remove the bolts [A] with spring washers.
- Remove the footpeg bracket [B] together with the footpegs and the sidestand.



Footpeg Bracket Installation

- Installation is the reverse of removal.
- Tighten:
Torque - Footpeg Bracket Bolts [A]: 25 N·m (2.5 kgf·m, 18 ft·lb)



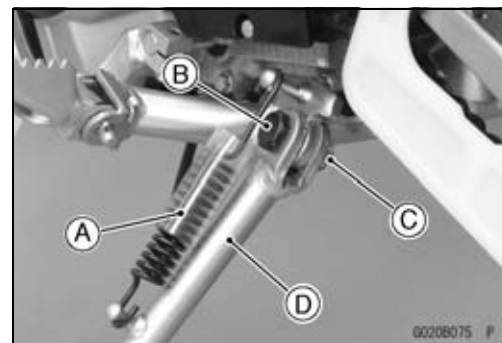
Sidestand

Sidestand Removal

- Raise the rear wheel off the ground with the jack.

Special Tool - Jack: 57001-1238

- Remove:
 - Spring [A]
 - Sidestand Bolt [B]
 - Sidestand Nut [C]
 - Sidestand [D]



Sidestand Installation

- Apply grease to the sliding area [A] of the sidestand [B].
- Replace the sidestand nut [D] with a new one.
- Tighten the sidestand bolt [C] and nut.

Torque - Sidestand Bolt: 9.8 N·m (1.0 kgf·m, 87 in·lb)

Sidestand Nut: 29 N·m (3.0 kgf·m, 21 ft·lb)

- Hook the spring [E] so that the longer spring end faces upward.

