

2. FRAME/BODY PANELS/EXHAUST SYSTEM

SERVICE INFORMATION	2-2	NUMBER PLATE	2-5
TROUBLESHOOTING	2-2	FRONT FENDER	2-5
SEAT	2-3	EXHAUST SYSTEM	2-5
FUEL TANK	2-4	SIDE STAND	2-6

SERVICE INFORMATION

GENERAL

- Work in a well ventilated area. Smoking or allowing flames or sparks in the work area or where gasoline is stored can cause a fire or explosion.
- This section covers removal and installation of the body panels, fuel tank and exhaust system.
- Always replace the exhaust pipe gasket after removing the exhaust system from the engine.
- When installing the exhaust system, loosely install all of fasteners. Always tighten the exhaust pipe joint nuts first, then tighten the mounting fastener. If you tighten the mounting fasteners first, the exhaust pipe may not seat properly.
- Always inspect the exhaust system for leaks after installation.

TORQUE VALUES

Side stand pivot bolt	See page 2-7
Muffler mounting bolt	26 N·m (2.7 kgf·m, 20 lbf·ft)
Exhaust pipe protector bolt	15 N·m (1.5 kgf·m, 11 lbf·ft)
Exhaust pipe cover screw	5.9 N·m (0.6 kgf·m, 4.3 lbf·ft)

TROUBLESHOOTING

Excessive exhaust noise

- Broken exhaust system
- Exhaust gas leak

Poor performance

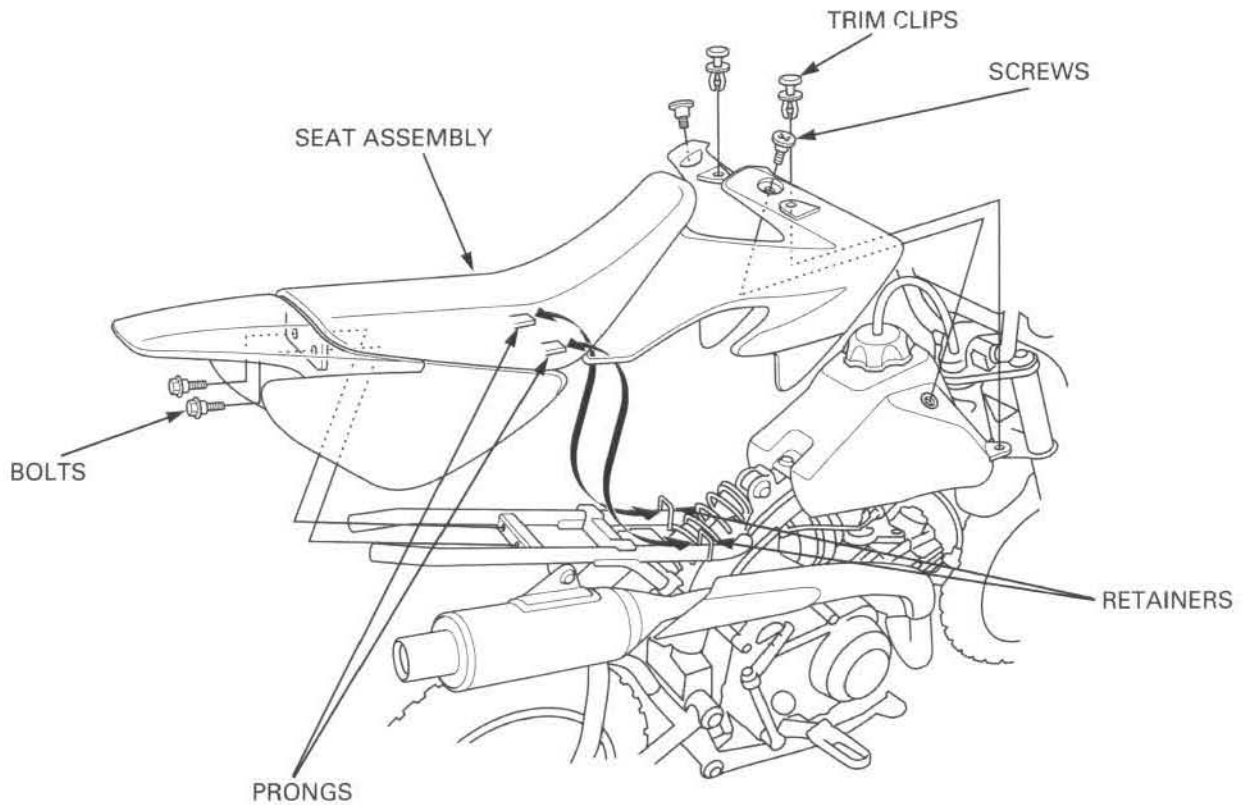
- Deformed exhaust system
- Exhaust gas leak
- Clogged muffler

SEAT**REMOVAL**

Remove the two trim clips.
Remove the two screws and bolts.
Pull the seat assembly back and remove it.

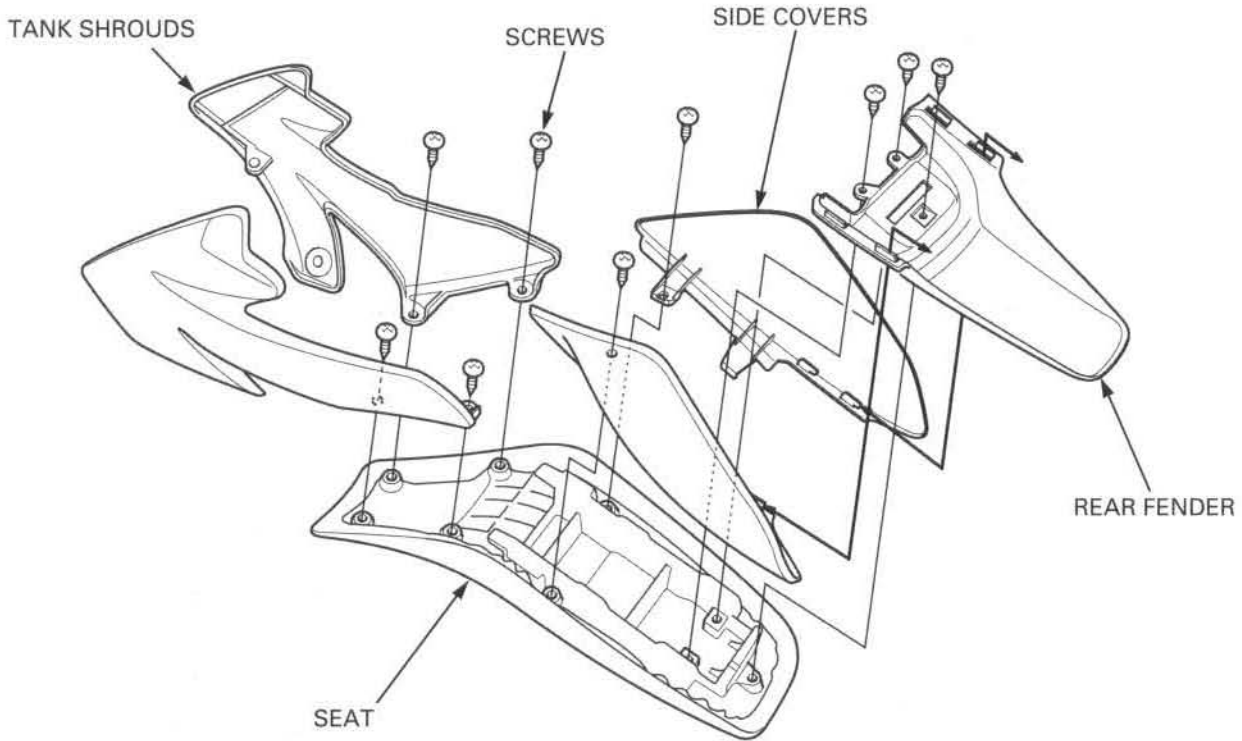
INSTALLATION

Install the seat assembly by inserting the prongs into the retainers on the frame.
Install the bolts and screws and tighten them.
Install the trim clips and lock them by pushing the center pin flush.



FRAME/BODY PANELS/EXHAUST SYSTEM

DISASSEMBLY/ASSEMBLY



FUEL TANK

Remove the seat assembly (page 2-3).

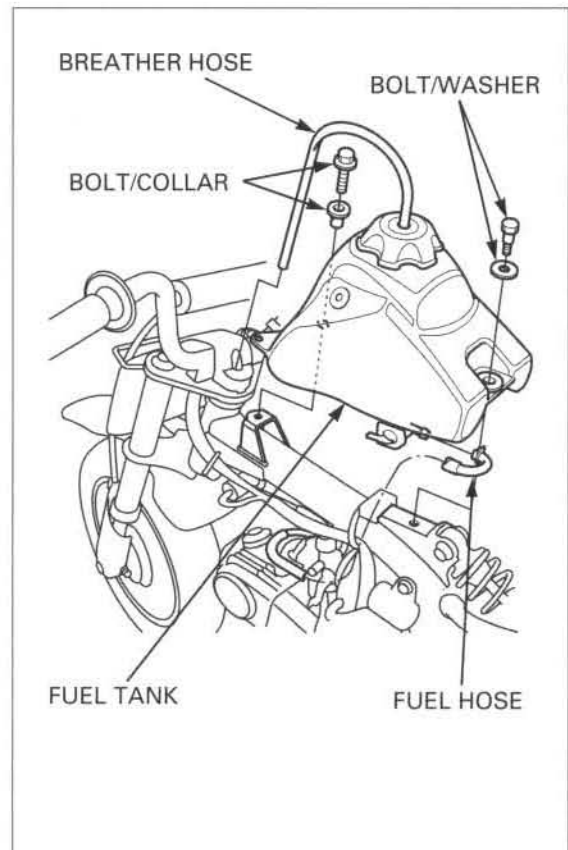
Remove the breather hose from the number plate. Turn the fuel valve OFF and disconnect the fuel hose from the fuel valve.

Remove the two bolts, washer and collar.

Remove the fuel tank.

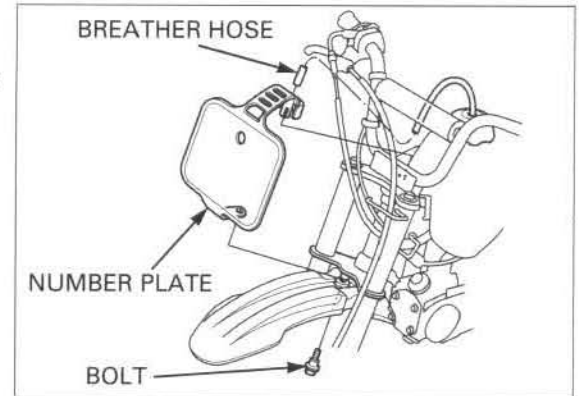
Installation is in the reverse order of removal.

For fuel strainer service, see page 3-4



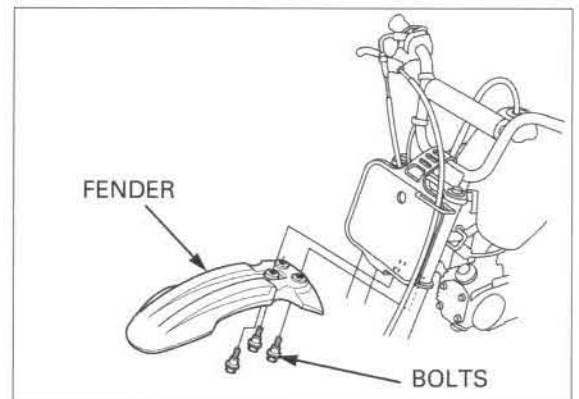
NUMBER PLATE

Remove the breather hose from the number plate.
 Remove the fender mounting bolt.
 Remove the number plate from the steering stem nut and front fender.
 Installation is in the reverse order of removal.



FRONT FENDER

Remove the three bolts and the front fender.
 Installation is in the reverse order of removal.



EXHAUST SYSTEM

REMOVAL

For spark arrester maintenance, refer to page 3-19

Remove the seat assembly (page 2-3).
 Remove the exhaust pipe joint nuts.
 Remove the mounting bolt and the muffler.
 Remove the exhaust pipe joint gasket.

INSTALLATION

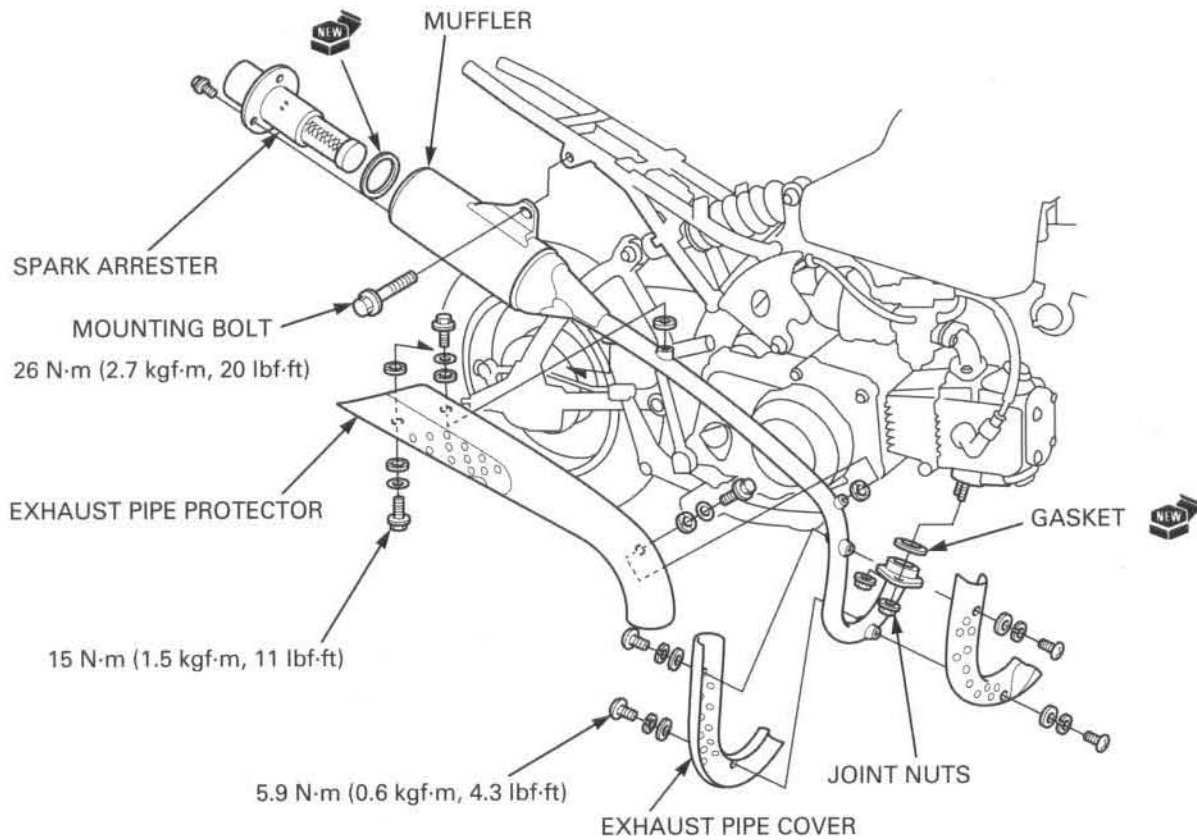
Install a new joint gasket into the exhaust port.
 Set the exhaust pipe onto the engine by aligning the exhaust pipe flange with the cylinder head studs, then install the joint nuts and the mounting bolt.

Tighten the joint nuts.

Tighten the mounting bolt.

TORQUE: 26 N·m (2.7 kgf·m, 20 lbf·ft)

Install the seat assembly (page 2-3)



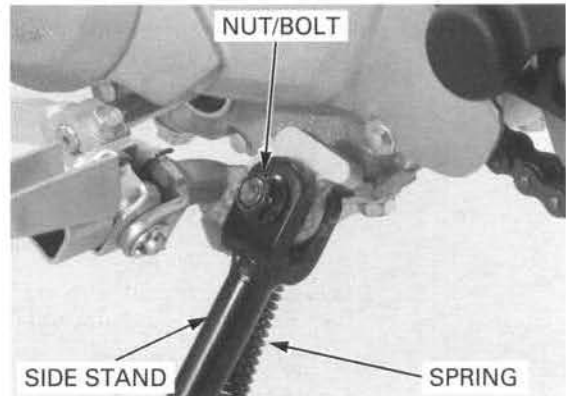
SIDE STAND

REMOVAL

Support the motorcycle securely with a hoist or equivalent.

Retract the side stand and remove the following:

- Return spring
- Pivot nut
- Pivot bolt
- Side stand



INSTALLATION

Apply grease to the side stand pivot and sliding surfaces.

Install the side stand with the pivot bolt.

Tighten the pivot bolt

TORQUE: 9.8 N·m (1.0 kgf·m, 7 lbf·ft)

Loosen the pivot bolt 45 – 90°.

Install the pivot nut and tighten it while holding the pivot bolt.

Install the return spring.

Check the side stand operation for freedom of movement.

